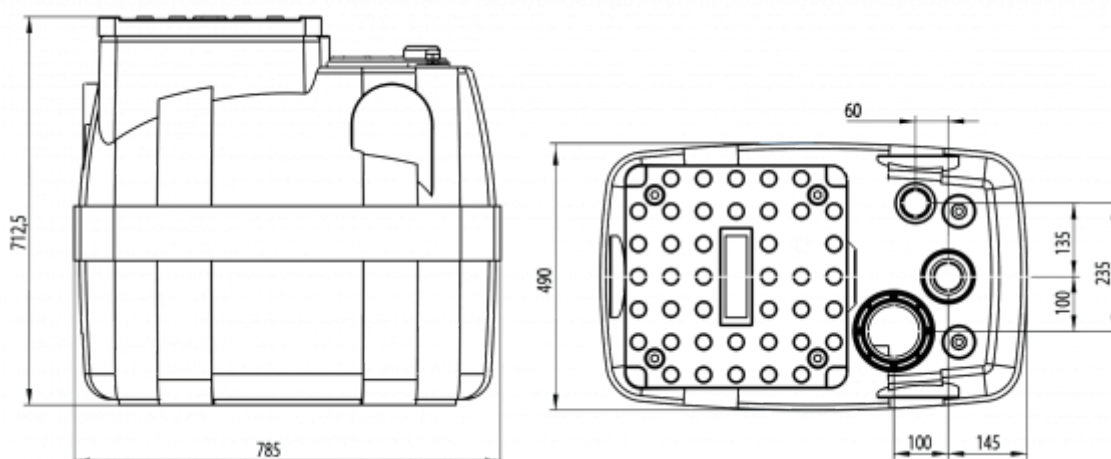


Data Sheet



Article number: 7180102000700125
Description: Dreno Box type 200 B 1 1/4"
Pump station with guide pipe

Measures



Cable clamp	= N. 2 M20
Inlet	= Ø 110 mm
Kg	= 12
No. of pumps	= 1
Outlet (Mobile)	= 1"1/4 - 1"1/2 - 2"
Outlet (Stationary)	= Ø 63 mm
Ventilation (seal)	= 50 mm